



PPE BROCHURE

CONTACT MICHELLE: 078 916 2419
or michelle@travelrepublic.co.za

CONTACT CHANTELLE: 061 711 7448
or chantelle@travelrepublic.co.za

CONTACT JONATHAN: 082 619 2559
or jonathan@travelrepublic.co.za

RE-USEABLE FACE MASKS



COTTON



REUSEABLE



BREATHABLE



COMFORTABLE



WASHABLE

DETAILS

BRANDED SATIN LABEL

• "YOUR LABEL HERE" OPTIONAL

EAR LOOP STRAP

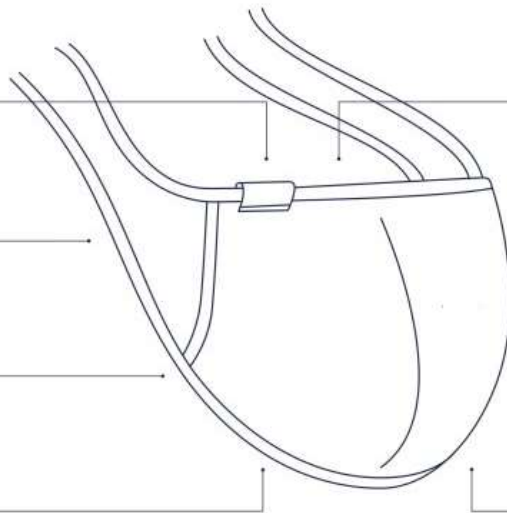
• 7MM BINDING
• COMFORTABLE & EASY TO USE

DOUBLE STITCHING

• RE - INFORCED THE CONSTRUCTION OF THE STRAPS

DOUBLE STITCHING

• RE - INFORCED THE CONSTRUCTION OF A 3-PLY MASK



FABRIC LAYERS

3. INNER LAYER

HYGIENE SPUNBOND 100% POLYPROPYLENE FABRIC
• 25 GSM
• BREATHABLE FABRIC WITH SOFT TOUCH TO THE SKIN

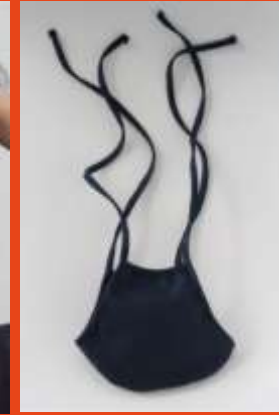
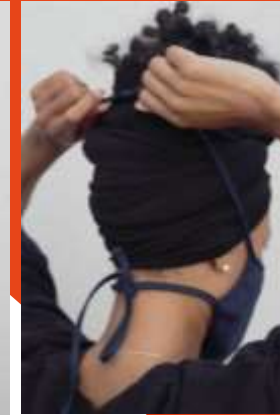
2. MID LAYER ACTS AS A FILTER

BUCKRAM NON-WOVEN BLEND OF POLYESTER/POLYPROPYLENE FABRIC
• 70 GSM
• WICKING
• BREATHABLE FABRIC

1. OUTER LAYER

HYDROPHOBIC SOFT HAND FEEL COTTON VISCOSE FABRIC BLEND
• THICK DURABLE FABRIC WITH A TIGHT WEAVE
• WICKING

TIE UP



EAR LOOP



PLEATED



UNBRANDED MASK PRICES (EX VAT)

ORDER QTY	PRICE / UNIT
250	R21
750	R20
1000	R19
3500	R17
7000	R16
10 000	R15
15 000+	R12

- ★ Excludes VAT
- ★ Branding Options available
- ★ Sizes - Small
Medium
Large
- ★ Various Colours Available
- ★ Locally manufactured in Cape Town

CONTACT MICHELLE: 078 916 2419
or michelle@travelrepublic.co.za

CONTACT CHANTELE: 061 711 7448
or chantelle@travelrepublic.co.za

CONTACT JONATHAN: 082 619 2559
or jonathan@travelrepublic.co.za

FACE SHIELDS

Econo Face Shield

Made from 0.4mm PET
Lightweight design

R750 ex VAT for
pack of 50 shields
(R15.00 ex VAT per
shield)



Mid-Range Face Shield

Made from 0.4mm PET
Lightweight design with
comfortable head band

R220 ex VAT for
pack of 10 shields
(R22.00 ex VAT per
shield)



Hard Hat Face Shield

Made from 0.4mm PET
2 x Screws to affix to
standard hard hat design

R2 500 ex VAT for
pack of 50 shields
(R50.00 ex VAT per
shield)



CONTACT MICHELLE: 078 916 2419
or michelle@travelrepublic.co.za

CONTACT CHANTELE: 061 711 7448
or chantelle@travelrepublic.co.za

CONTACT JONATHAN: 082 619 2559
or jonathan@travelrepublic.co.za

INFRARED THERMOMETER



YRK-0024 Infrared Thermometer

R1 640 ex VAT

Limited Stock available in Cape Town

Batteries Not Included:
Buy a pack of Duracell AAA batteries @ R45 ex VAT

Features:

1. Fast temperature measurement: measurement time <1 second.
2. Dual-mode temperature measurement: It can measure human body temperature / material temperature / water temperature / ambient temperature.
3. Infrared measurement: It only measures the infrared radiation signal emitted by the human body, and does not touch the human skin, which is harmless to the human body.
4. Temperature alarm: The user can freely set the alarm temperature according to his own situation.
5. Unit conversion: Celsius and Fahrenheit (°C / °F) can be converted between different countries and regions. Celsius and Fahrenheit (°C / °F)
6. Storage data: Store 32 sets of measurement data, which is convenient for individual and multi-person analysis and comparison.
7. Large-screen display: Large-screen LCD display, white backlight, can be clearly displayed under any light.
8. Easy-to-use power-saving: One-button measurement, simple and convenient operation; automatic power-saving shutdown for 15 seconds without operation.
9. Ultra-long life: can be used more than 100,000 times

Specification:

Material :ABS

Color: Purple + White

Weight :150g

Size:150 x 95 x 44mm

Measurement Range: Body Temperature Mode 32 °C -42.9 °C

Surface Mode :0 °C -100 °C

Accurate:± 0.2 °C in the range of 35 °C -42 °C ± 0.3 °C outside the range of 35 °C -42 °C

The measurement deviation is ≤ ± 0.3 degrees. (Using imported infrared detection system)

Power:2 x AAA Battery **(Not Included)**

Resolution:0.1°C or 0.1°F

Display:Digital LCD

Package Includes:

1 x Forehead Thermometer

CONTACT MICHELLE: 078 916 2419
or michelle@travelrepublic.co.za

CONTACT CHANTELLE: 061 711 7448
or chantelle@travelrepublic.co.za

CONTACT JONATHAN: 082 619 2559
or jonathan@travelrepublic.co.za

SANITIZING PRODUCTS



70% Alcohol Based Hand and Surface Sanitizer

Locally manufactured by trusted brand
Strong and sturdy packaging
MSDS available on request
Bulk pricing available for larger orders

R390 ex VAT for 5 litre unit



500ml Empty
Spray Bottle
with Trigger

R21 ex VAT



1 Ltr Empty
Spray Bottle
+ Trigger

R30 ex VAT



100mm
Plastic
Funnel
(colour may vary)
R15 ex VAT

CONTACT MICHELLE: 078 916 2419
or michelle@travelrepublic.co.za

CONTACT CHANTELLE: 061 711 7448
or chantelle@travelrepublic.co.za

CONTACT JONATHAN: 082 619 2559
or jonathan@travelrepublic.co.za

SANITIZING TROLLEY



Trolley:

- Robust
- Easy to use and mobile
- No Mechanical, Physical or Electrical Power required whilst operating
- Multiple units can be deployed simultaneously
- Requires a compressor to pressurize tank to 6 bar

Sanitizing a surface:

- We use a Low-Pressure misting Nozzle.
- Nozzle atomises disinfectant into 20µm to 50µm particles. Average = 40 µm
- Our System has 1 Nozzle that sprays 0.08 litre/minute = ±5m² per minute.
- Tank Capacity is 40 litres with 10 litres of disinfectant = 1 hour of spraying That covers 300m² (max)
- We use only the best certified and tested sanitising products on the market and we will supply proof of independently LAB tested examples of our system on vehicles, busses, and other surfaces.

Lab Results and Videos available on request.

Compressor required to charge unit to 6 Bar.



Quadsept Full twin chain QAC disinfectant

- 5/100 dilution ratio (5ml to every litre of water)
- Food grade chemical
- COA and MSDS on request

5 Litre – R324 ex VAT
25 Litre – R1 450 ex VAT

ST1 Sanitizing Trolley

R9 400 ex VAT

5 to 7 days lead time

CONTACT MICHELLE: 078 916 2419
or michelle@travelrepublic.co.za

CONTACT CHANTELE: 061 711 7448
or chantelle@travelrepublic.co.za

CONTACT JONATHAN: 082 619 2559
or jonathan@travelrepublic.co.za

CONTACT BARRIERS



Perspex Desk Barrier

Locally manufactured
Made of 3mm Perspex

R380 ex VAT for unit

CONTACT US FOR A FORMAL QUOTE TODAY!

Terms and Conditions

All pricing excludes VAT

Includes freight to a single point in Cape Town

Minimum order quantities may apply

Pricing subject to change without prior notification

All stock supplied ex Cape Town

All pricing on Cash Upfront basis unless otherwise agreed

CONTACT MICHELLE: 078 916 2419
or michelle@travelrepublic.co.za

CONTACT CHANTELLE: 061 711 7448
or chantelle@travelrepublic.co.za

CONTACT JONATHAN: 082 619 2559
or jonathan@travelrepublic.co.za